

MULTIFUNCTIONAL TRANSPORT SYSTEM

EASY, FAST, AND SAFE



LOADING



UNLOADING



TRANSPORTING



With your own application!

SMART TROLLEY, EASY (UN)LOADING

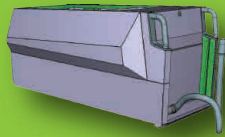
www.dynnox.com

DYNNOX

MULTIFUNCTIONAL



Refrigerator



Water tank



Transport cases



Your needs



Machines



Workbench

Dynnox consists of two main parts:

- A chassis of Dynnox
- An application

Dynnox offers a basic set of applications. To cater to your specific needs you can contact your local reseller or start a co-development project with Dynnox.

Loading capacity:
250 kg

STRENGTHS

- **Easy, fast and safe** loading, unloading and transportation
- Your cargo at required destination **in one go**
- **Single person** operation
- Better **performance** and better **working conditions**
- **Efficient use of fleet** through **detachment of logistic** loading, unloading and inventory process
- Enhances **the professional image** of your business
- Very simple technique: **easy maintenance**

EXAMPLES

Technical service



Veterinary



Restoration



Plant Care



STANDARD CHASSIS

• Dynnox L46

Frame width : 460 mm *

Frame length : 962 mm

Weight : about 42 kg

*Attention: This model has a width of 360 mm at the front.

• Dynnox XL36

Frame width : 360 mm

Frame length : 1250 mm

Weight : about 42 kg

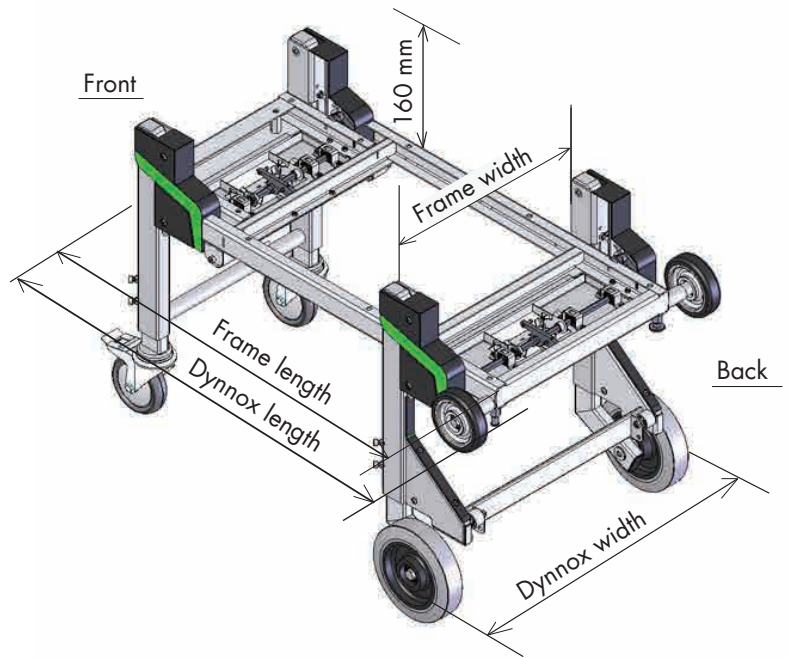
Attention: The maximum height of this model is 580 mm instead of 680 mm

• Dynnox XL53

Frame width : 530 mm

Frame length : 1250 mm

Weight : about 44,5 kg



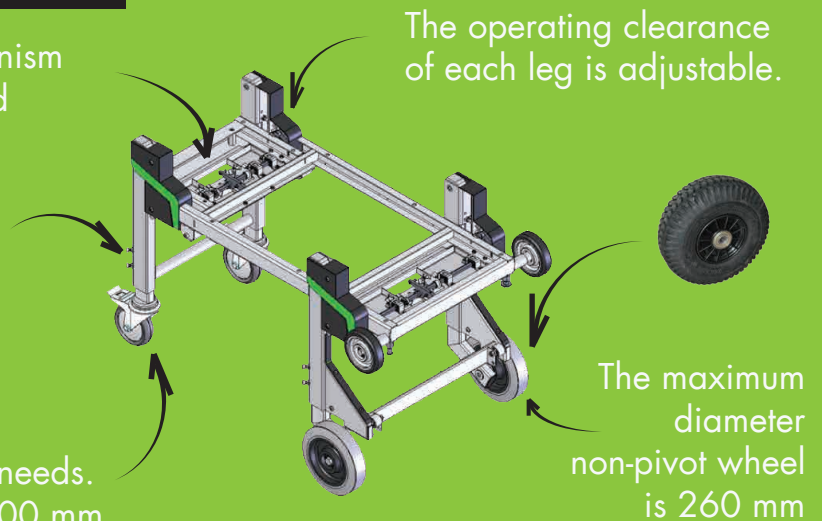
- "Dynnox width" = "Frame width" + 190 mm
- "Dynnox length" = "Frame length" + 45 mm
- The application may be up to 200 wider 160 mm above the frame height.

SIMPLICITY & EFFICIENCY

Mechanism: Front and back locking mechanism are identical in design and can be replaced as a single module: easy maintenance

Upon installation the frame height will be set to match the height of the loading ramp of your van. With a frame height range between 450 mm and 680 mm, Dynnox will fit in all commercial vans up to 3.5 t.

The wheels can be chosen to meet specific needs. The maximum diameter for pivot wheel is 200 mm.



Inventory management



Delivery of heavy objects



Machines



Your organisation...
Your needs...
Your Dynnox!

INSTALLATION AND SAFETY

Dynnox can be installed in almost all brands and all types of vehicles.

The assembly is performed by one of our Dynnox approved resellers.

Upon loading Dynnox is secured to the floor automatically. The fixation mechanism is tested according to EN 75410-3.



Side installation



Rear installation

VEHICLE INTERFACE

(A) Plywood at least 12 mm thick.

- **Dynnox L46**

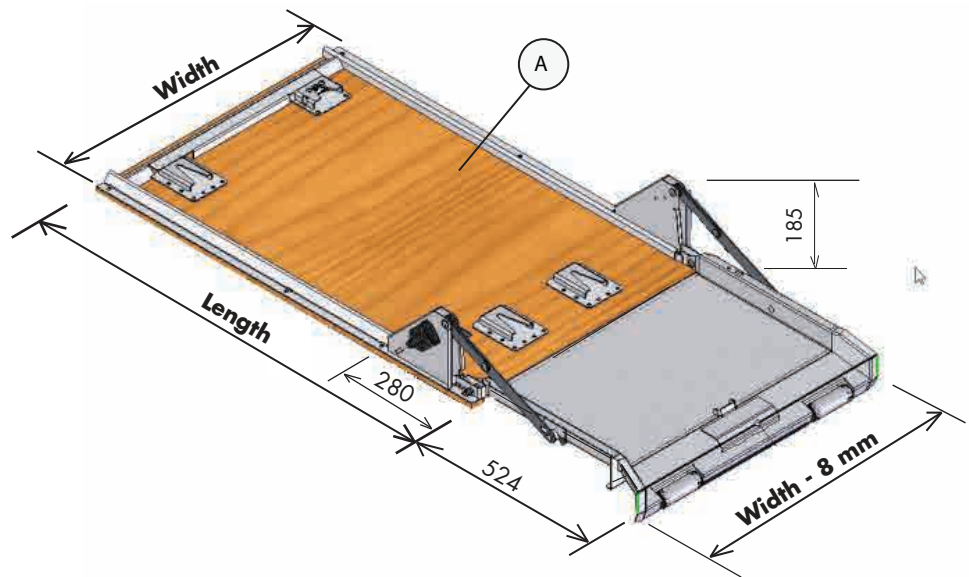
width : 794 mm
length : 1185 mm

- **Dynnox XL36**

width : 694 mm
length : 1470 mm

- **Dynnox XL53**

width : 864 mm
length : 1470 mm



The auto-interface is removable so you can use the cargo area for other purposes as well. It can simply be removed within 5 minutes.

YOUR DYNNOX RESELLER IS:

DYNNOX

Dynnox is a trademark of Innobase BV (Netherlands)

T +31(0)306877301

E info@dynnox.com

I www.dynnox.com

CCI NL-30195131



Film presentation